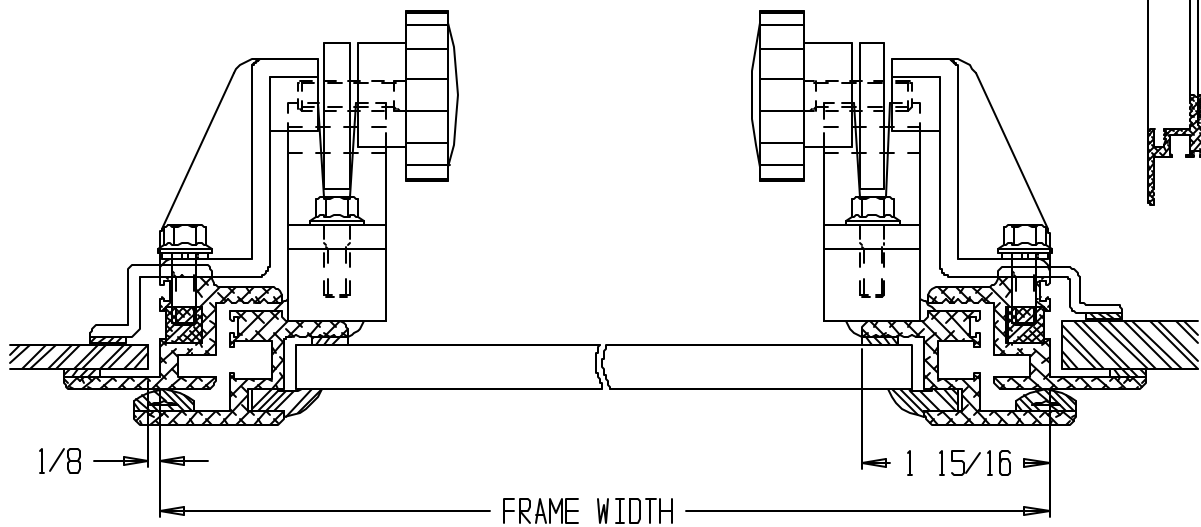


EXTERIOR ELEVATION

NOTE:
 10mm (3/8") OR 12mm (1/2") GLASS THICKNESS.
 CLAMP ON FRAME WITH INNER WHITE BRONZE
 CAM LOCKS AND STAINLESS STEEL HOLD OPENS.
 MECHANICAL OR WELDED JOINTS AVAILABLE.



FRAME WIDTH

BECLAWAT
 Manufacturing Inc.



Description
 MEDIUM DUTY CLAMP-ON
 HINGED OUT MARINE WINDOW

Drawing Number
 72145