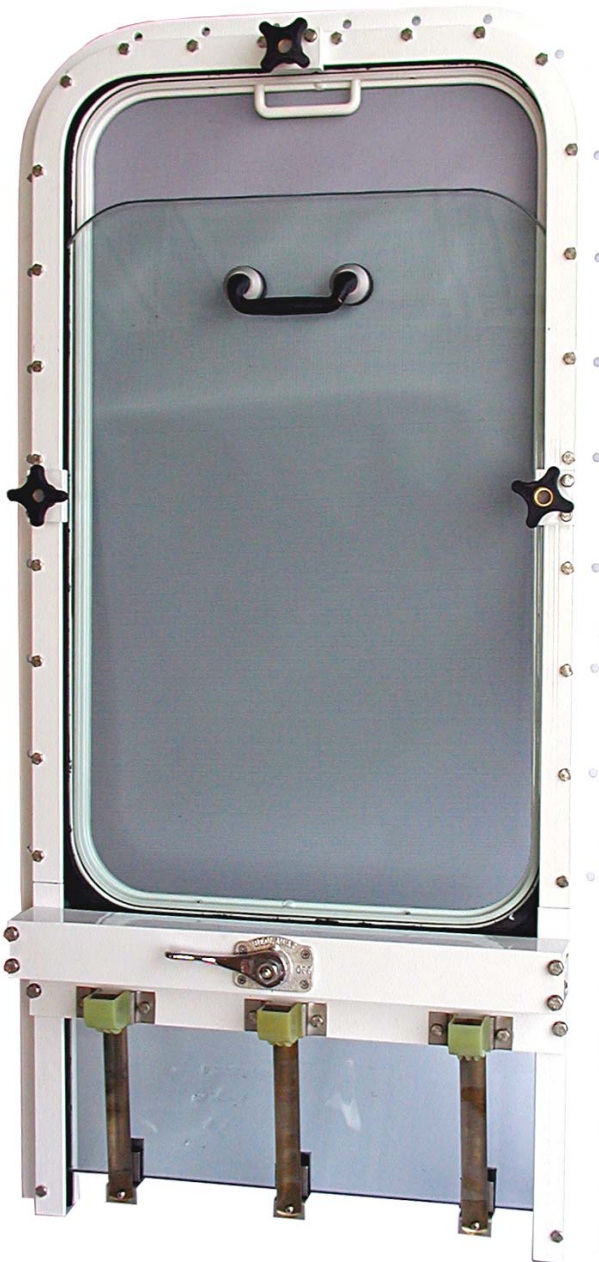


BECLAWAT



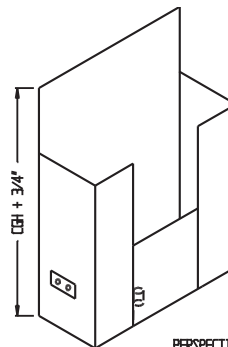
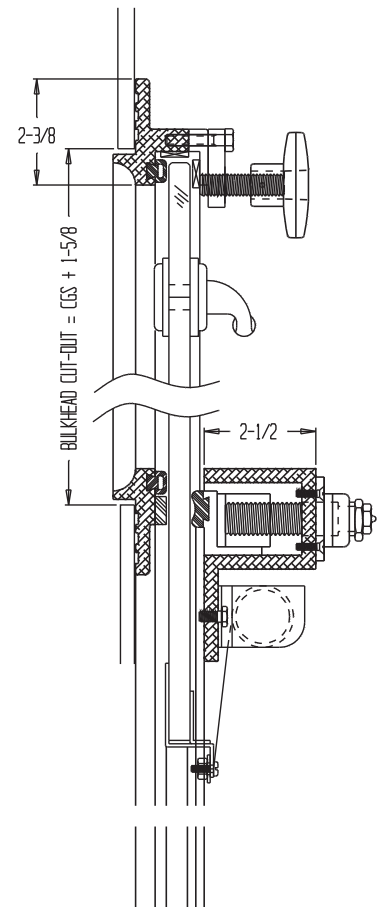
70891 - Vertical Sliding Aluminum Bolt-on Window - Spring Balanced



This heavy marine vertical sliding aluminum watertight window is available in custom shapes and sizes. This window has a bolt-on style frame and a 1/2" or 1" spigot that projects through the bulkhead opening. It will suit a glass thickness of 10-19mm.

Exterior rubber seals the window once the glass pressure clamps are tightened. Spring balances are bolted to the underside of the waist rail and are easily removed when a replacement spring is required. A stainless steel drip pan is provided with each window (not pictured here).

Pictured window has a white powdercoated finish with radius corners. Other finishes are available. Glass is clear solid tempered. Other tinted glass options are available. Heated glass can be adapted to this type of frame. A removable screen is also pictured here.



PERSPECTIVE VIEW OF STAINLESS STEEL DRIP PAN.

For more information
Call: 613-966-5611

Email:
info@beclawat.com



BECLAWAT Manufacturing Inc.
90 Hanna Crt. Belleville, ON K8P 5H2 Canada
Ph: 613-966-5611 Fx: 613-966-0878 www.beclawat.com

