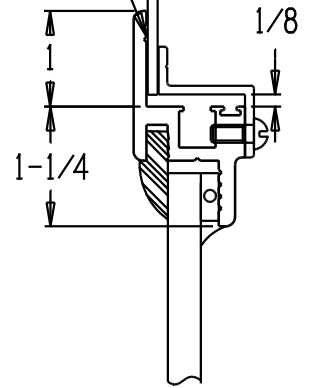
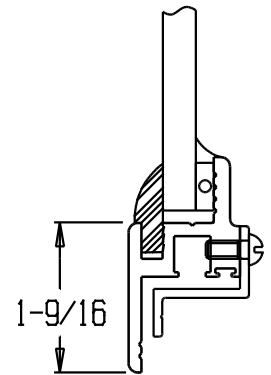


SEALANT BY SHIPBUILDER



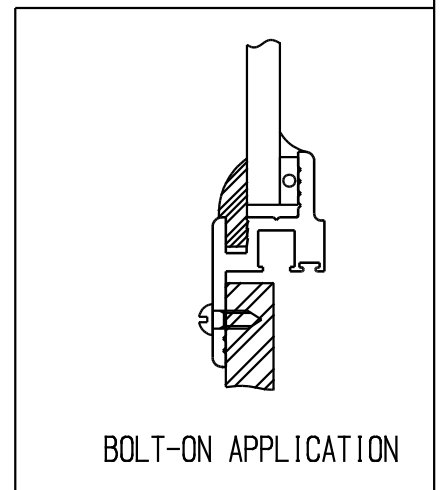
FRAME HEIGHT



CROSS SECTION CLAMP-ON APPLICATION

NOTE:

1. WINDOW IS AVAILABLE IN CUSTOM SHAPES AND SIZES
2. HEATED GLASS APPLICATION OPTIONAL
3. WHERE CLAMP ON FRAME IS REQUIRED, MECHANICAL OR WELDED JOINTS AVAILABLE.



BOLT-ON APPLICATION

BECLAWAT  
Manufacturing Inc.



Description  
FIXED WINDOW 10-12mm (3/8-1/2") GLASS  
CLAMP-ON / BOLT-ON

Drawing Number  
72046