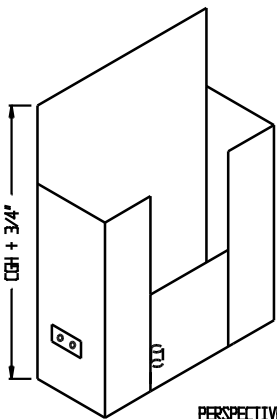
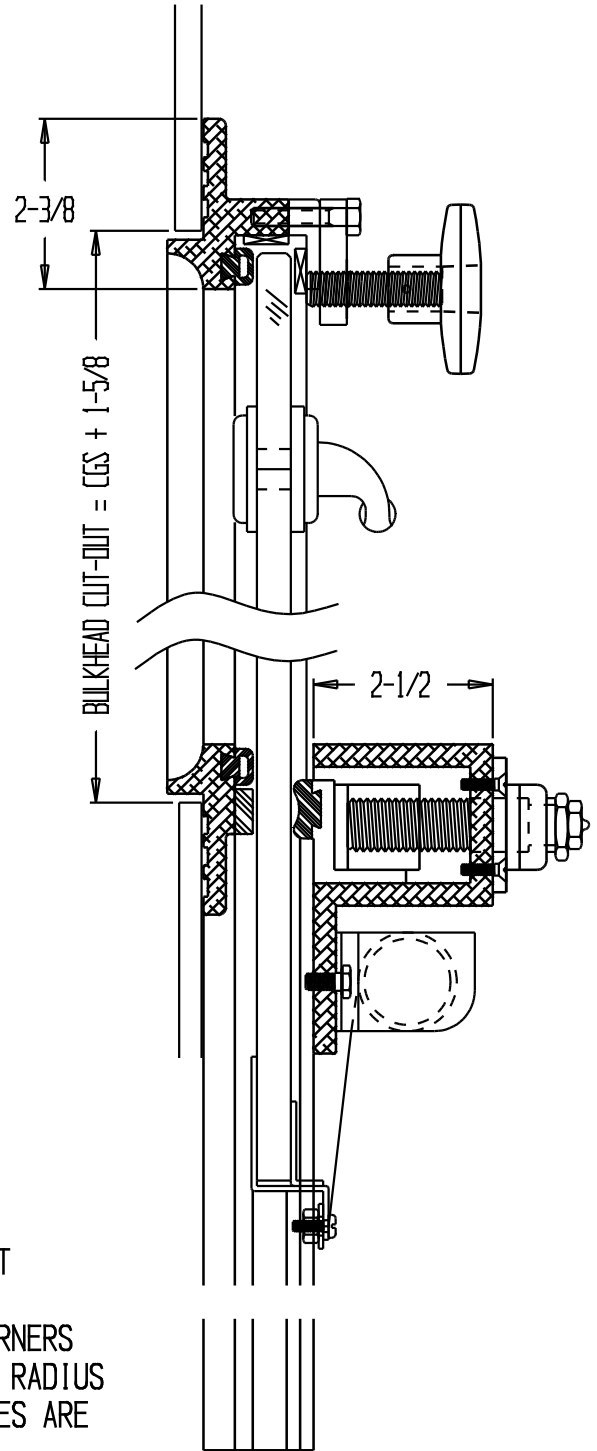


INTERIOR ELEVATION
NTS



PERSPECTIVE VIEW OF STAINLESS
STEEL DRIP PAN.

VERTICAL SLIDING WATERTIGHT
HEAVY ALUMINUM WINDOW

- 3" CLEAR GLASS RADIUS CORNERS
TO SUIT A 3-3/4" CUT-OUT RADIUS
- 11/32" DIA. MOUNTING HOLES ARE
STANDARD

BECLAWAT
Manufacturing Inc.



Description
ALUMINUM VERTICAL SLIDING
BOLT-ON WATERTIGHT WINDOW

Drawing Number
70891