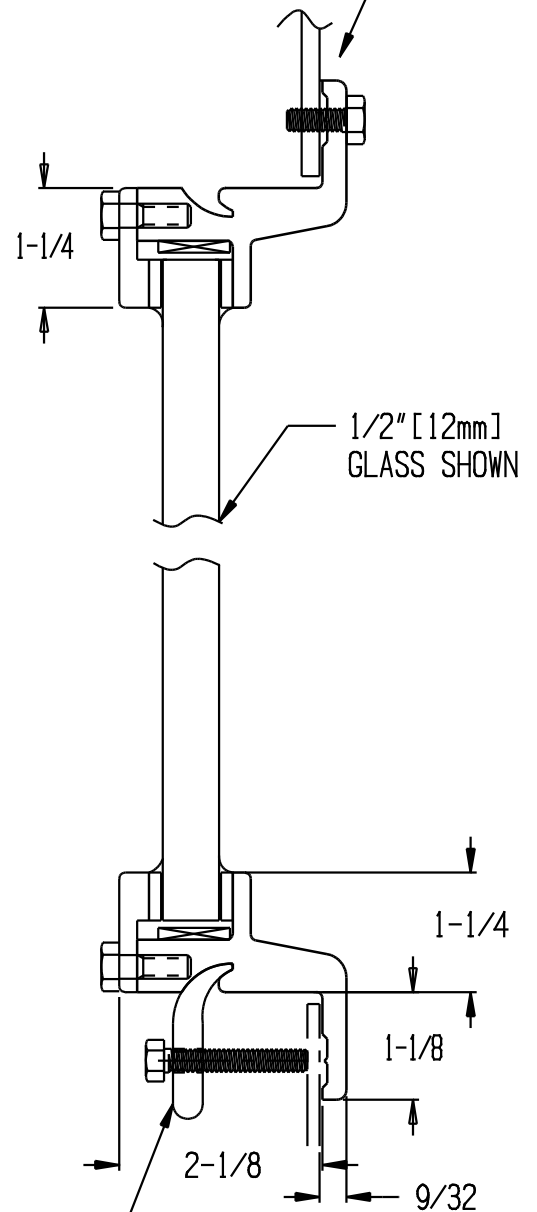


FEATURES

- 10mm [3/8"] AND THICKER GLASS
- INNER GLASS RETAINING RING
- INNER CLIP FOR EASY INSTALLATION
- ALL ALUMINUM CONSTRUCTION USING 6063 ALLOY
- STAINLESS STEEL FASTENERS FOR ALL RINGS [CHOICE OF HEX, TRUSS OR PAN HEAD BOLTS]
- FINISH CAN BE ETCHED ANODIZED, POLYESTER POWDERCOAT [STANDARD OR CUSTOM COLORS AVAILABLE] OR MILL FOR WELD-IN APPLICATIONS

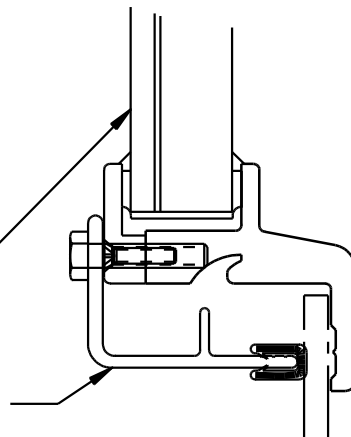
BOLT-ON APPLICATION -



1-1/2" LONG CLIP WITH 1/4-20 BOLTS [CAN BE USED TO SECURE WINDOW COMPLETELY OR HOLD WINDOW FOR WELD-IN APPLICATION]

29mm HEATED GLASS SHOWN

CLAMPING RING WITH ISOLATER FOR STEEL BULKHEAD INSTALLATIONS



BECLAWAT  
Manufacturing Inc.



Description  
ALUMINUM FIXED CLIP, CLAMP OR BOLT-ON FOR HEAVY GLASS [3/8" & UP]

Drawing Number  
72450